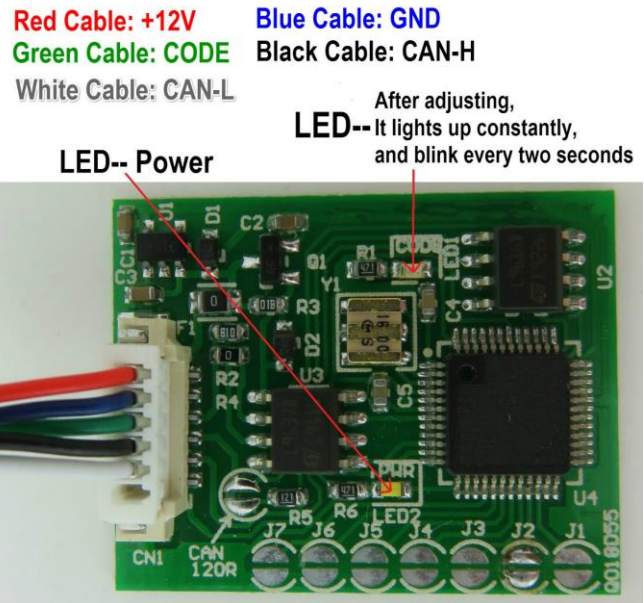


## Mercedes ESL 2 – steering wheel column lock emulator

In Universal Emulator  
solder jumpers **J2, J5 and J6**



### Warning!!!

Due to possible construction changes of cars, check signals with multimeter in the ECU plug before connecting the device.

ESL 2 emulator enables you to verify correct functioning of EZS

**It works with ignition switches numbered**



- A 906 545 01 08
- A 906 545 64 08
- A 906 545 49 08
- A 906 545 40 08



- 639 545 01 08
- 639 545 05 08
- 203 545 05 08
- 203 545 01 08
- 203 545 03 08



208 545 00 08	208 545 01 08
208 545 02 08	208 545 03 08
210 545 00 08	210 545 01 08
210 545 02 08	210 545 03 08

**It self-learns code of the electronic ignition—plug and play**



**ESL**

W906 (Sprinter II, VW Crafter), W639,  
W211, W209

**ESL**

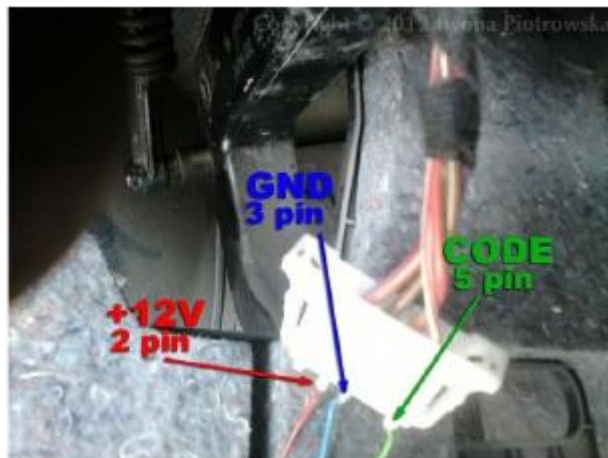
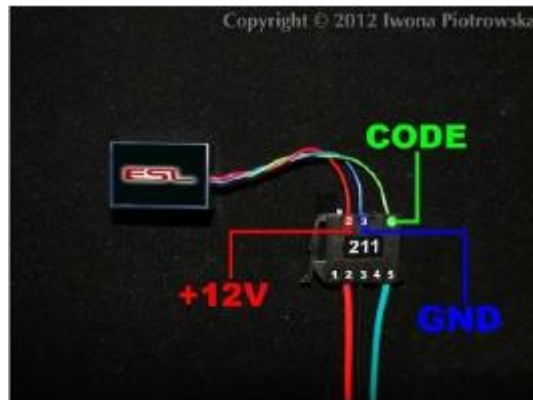
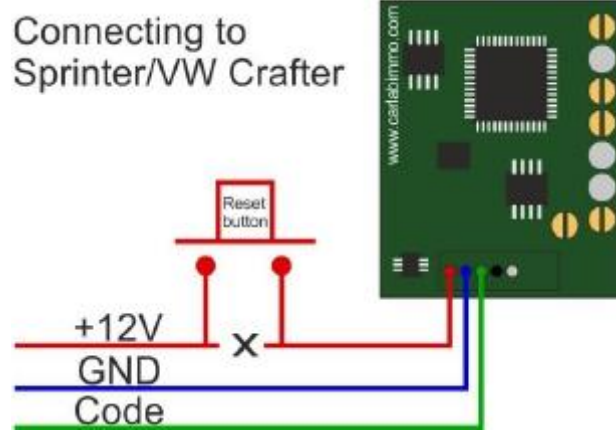
W202, W208, W210



**Connecting to ESL:  
W906 (Sprinter II, VW Crafter), W639, W211, W209**

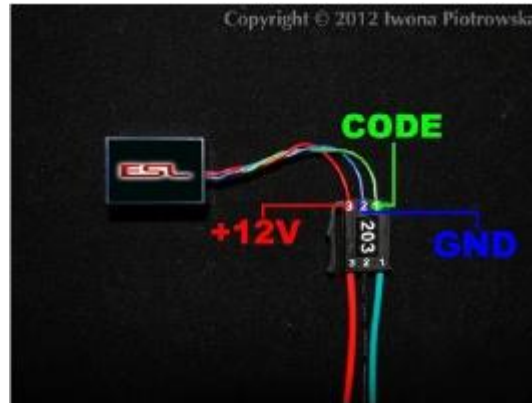
**Attention!**

If the ESL plug is missing +12V ACC, then you connect the emulator to +12V VCC. For this purpose, it is best to build a reset button at one point of +12V VCC wire.



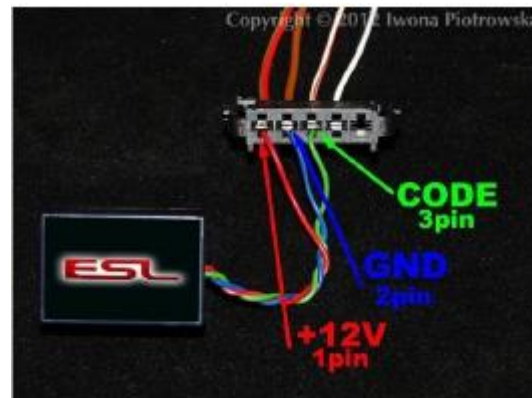
**Connecting to ESL:**

**Mercedes-Benz W203**



**Connecting to ESL:**

**Mercedes-Benz W202, W208, W210**



**Warning!!!**

**Due to possible construction changes of cars, check signals with multimeter in the ECU plug**