

# Daewoo 2 IMMO Emulator

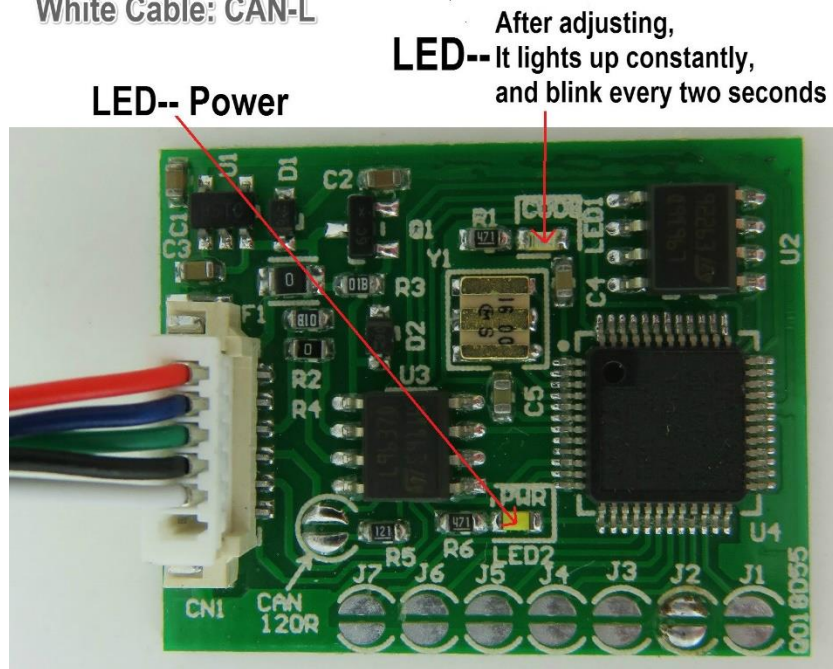
Red Cable: +12V

Blue Cable: GND

Green Cable: CODE

Black Cable: CAN-H

White Cable: CAN-L



## Daewoo 2 Immo Emulator

In Universal Emulator, solder jumpers **J2** and **J4**

This device self-learns ECU code

## USE

Matiz SIEMENS ECU

Matiz KEMSCO ECU

Tacuma KEMSCO ECU

Chevrolet Spark D32 ECU 0.8ccm 38kW

Lanos hybrid ECU 1.4 OHC

Rezzo hybrid ECU 2.0 16V 89kW DOHC

Kalos SIRIUS D42 ECU 1.2

Chevrolet Aveo 4R ECU 1.2 8V

## Matiz SIEMENS ECU



### Connecting emulator to ECU

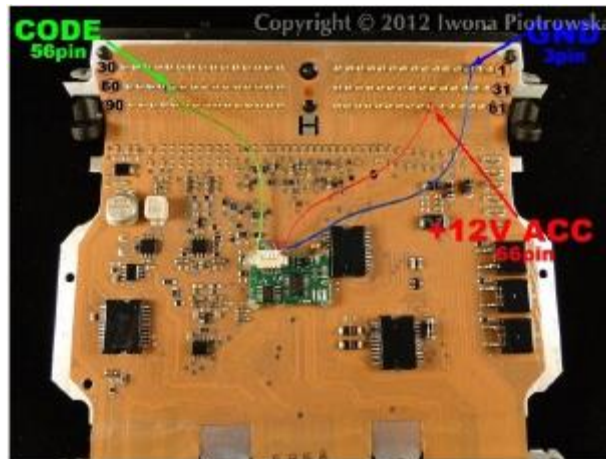
Power	32 pin (or pin 24 ACC)
GND	3 pin
Immo	11 pin

Cut off pin 11 from wiring in the car !!!

## Matiz KEMSCO ECU



## Connecting emulator to ECU



### Tacuma KEMSCO ECU

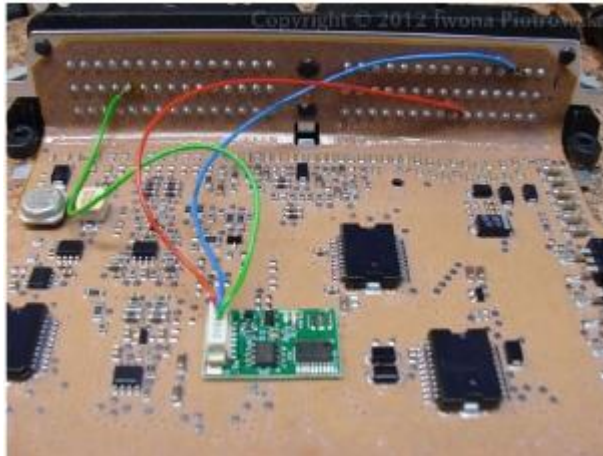


#### Connecting emulator to ECU

Power	60 pin
GND	3 pin
Immo	56 pin

Cut off pin 56 from wiring in the car!!!

### Chevrolet Spark D32 ECU 0.8ccm 38kW

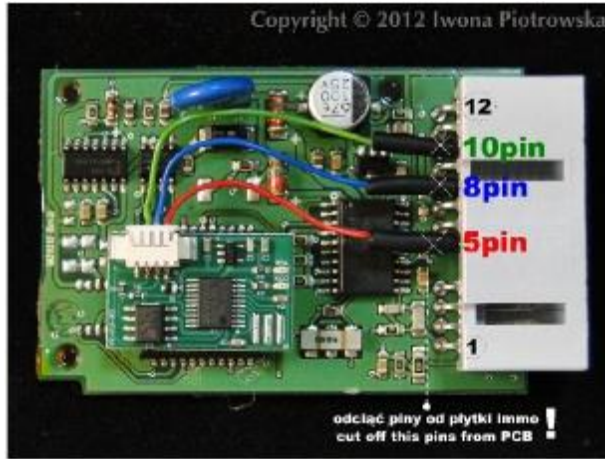


### Connecting emulator to ECU

Power	66 pin
GND	3 pin
Immo	56 pin



**Lanos hybrid ECU 1.4 OHC**  
**and**  
**Rezzo hybrid ECU 2.0 16V 89kW DOHC**



Connect emulator to the socket of disconnected immobiliser:

<b>Power</b>	<b>5 pin</b>
<b>GND</b>	<b>8 pin</b>
<b>Immo</b>	<b>10 pin</b>

Or connect it to ECU socket

<b>Power</b>	<b>18 pin</b> (socket - K)
<b>GND</b>	<b>39 pin</b> (socket - M)
<b>Immo</b>	<b>32 pin</b> (socket - K)

Cut off pin 32 from wiring in the car!!!



## Kalos SIRIUS D42 ECU 1.2



### Connecting emulator to ECU

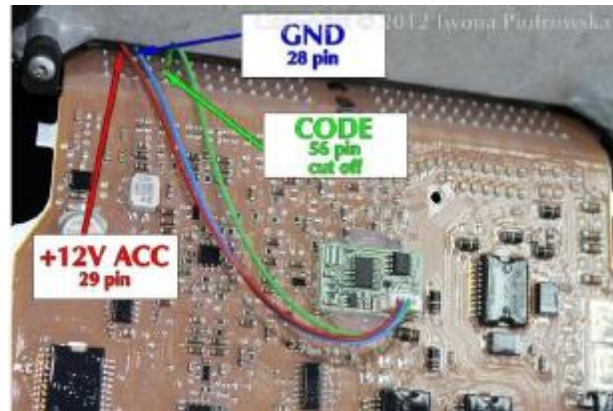
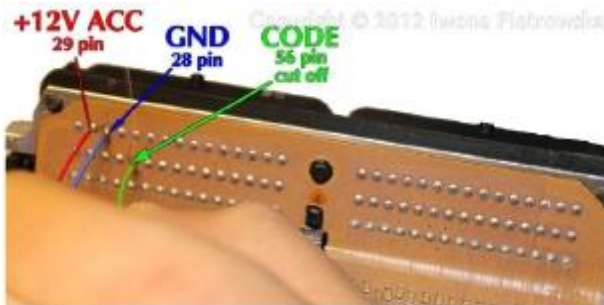
**Power 29 pin**

**GND 28 pin**

**Immo 56 pin**

**Cut off pin 56 from wiring in the car!!!**

### Chevrolet Aveo 4R ECU 1.2 8V



#### Connecting emulator to ECU

<b>Power</b>	<b>29 pin</b>
<b>GND</b>	<b>28 pin</b>
<b>Immo</b>	<b>56 pin</b>

**Cut off pin 56 from wiring in the car!!!**



**Warning!!!**

**Due to possible construction changes of cars, check signals with multimeter in the ECU plug.**